

Seal selection made easy!

The following data sheet used in conjunction with the information in this catalog, will make the selection of the correct DEPAC seal much easier.

By following the check list and marking your requirements, you should find the correct solution.

The following details are necessary for a safe and optimal solution:

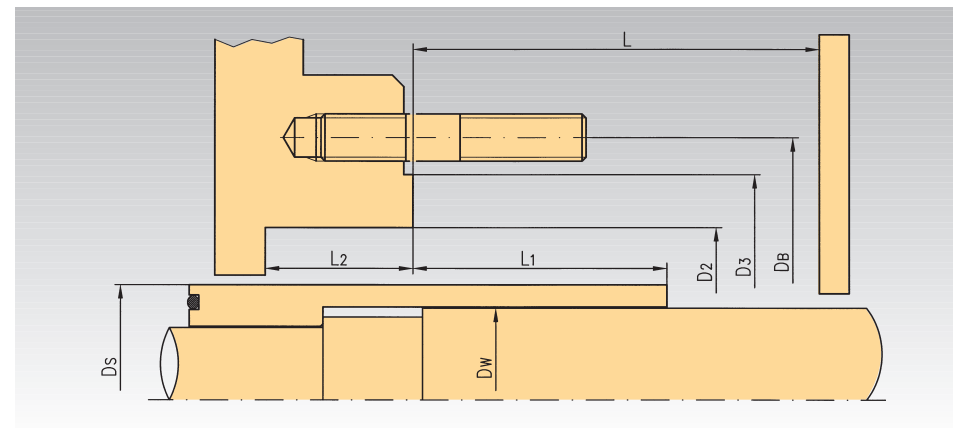
- **Type of equipment**
- **Equipment dimensions**
- **Medium details**
- **Basic seal requirements**
- **Materials required**

If you are not a 100% certain that you have the correct solution, **please feel free to fax these sheets, with your data, to us or your local DEPAC representative.** You will promptly receive the optimal and most cost effective sealing solution.

Type of equipment

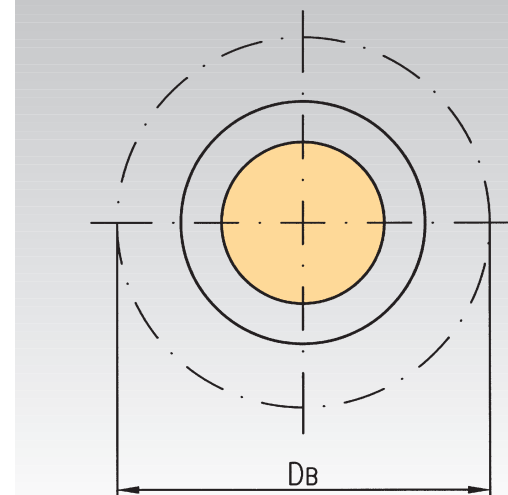
Pump
 Agitator
 Fermenter
 Other (your specifications)

Installation
 horizontal
 vertical



Equipment bolts

Indicate number and position



Equipment-details

Dimensions	MM	INCH
Ø Dw		
Ø D _s		
Ø D ₂		
Ø D ₃		
Ø D ₈		
L		
L ₁		
L ₂		

Shaft speed RPM		min ⁻¹
Axial shaft tolerance		mm
Radial shaft tolerance		mm

Media Data

Process Fluid/Medium						pH-factor	
Temperature °C	°F	min.	max.				
Pressure/Vacuum		Suction	Discharge	Stuffing Box/Sealing chamber	Tank		
Solids	<input type="checkbox"/> yes <input type="checkbox"/> no	Abrasives		<input type="checkbox"/> yes <input type="checkbox"/> no	Slurry	<input type="checkbox"/> yes <input type="checkbox"/> no	
Crystallizing	<input type="checkbox"/> yes <input type="checkbox"/> no	Due to what criteria					
Continuous service	<input type="checkbox"/> yes <input type="checkbox"/> no	Intervals					
Flush available	<input type="checkbox"/> yes <input type="checkbox"/> no	Medium			Pressure	Temperature	
Quench (steam) available	<input type="checkbox"/> yes <input type="checkbox"/> no				Temperature		
Barrier system available		<input type="checkbox"/> yes <input type="checkbox"/> no	<input type="checkbox"/> Thermosyphon	Medium			
			<input type="checkbox"/> Continuous flow	Pressure	Temperature		
Will the seal be cleaned while in use?				Medium			
<input type="checkbox"/> yes <input type="checkbox"/> no				Pressure			
How				Temperature			
Intervals							

Requirements

Component seal	Single	<input type="checkbox"/>	Type
	Stationary	<input type="checkbox"/>	Type
	Gland	<input type="checkbox"/>	Type
	Adapter	<input type="checkbox"/>	Type
	DIN 24960	<input type="checkbox"/>	
Cartridge	Single	<input type="checkbox"/>	Type
	Flush / Quench	<input type="checkbox"/>	Type
	Safety	<input type="checkbox"/>	Type
	Double	<input type="checkbox"/>	Type
	With pumping screw	<input type="checkbox"/>	
Gas lubricated		<input type="checkbox"/>	
Special seals		<input type="checkbox"/>	
ANSI	Standard	<input type="checkbox"/>	Type
	„Big bore“	<input type="checkbox"/>	Type
API	Single	<input type="checkbox"/>	Type
	Double	<input type="checkbox"/>	Type

Materials

Metal parts (in contact with the medium)			
Gland/Housing			
Faces			
Secondary Seals	O-Rings		
Wedge			
Gasket			
Bellows			
Springs			
TS-System	<input type="checkbox"/> yes	<input type="checkbox"/> no	
Supplementary parts	<input type="checkbox"/> pressure and relief valves		
	<input type="checkbox"/> Thermometer	<input type="checkbox"/> Refilling Unit	
	<input type="checkbox"/> Pressure gauge		
Circulating pump	<input type="checkbox"/> Standard	<input type="checkbox"/> Ex	
Level Switch	<input type="checkbox"/> Mechanical	<input type="checkbox"/> Electrical	
	<input type="checkbox"/> Ex		